

Data sheet

Commercial Art.No.: 55.703.9053.0

earth terminal WKMF 2,5 SL/15

Ground terminal with tension spring connection for mounting on TS 15 , nominal cross section: 2.5 mm², width: 5.1 mm, color: Green-yellow



Commercial Art.No.	55.703.9053.0
EAN	4015573671379
Order Unit	100

certificates / approvals



Technical data

general

nominal cross section	2.5 mm ²
color	green/yellow
number of levels	1
number of clamp positions per level	2
width/grid dimension	5.1 mm
insulating housing	PA666
flammability class of insulation material acc. with UL94	V0
mounting method	DIN rail (top hat rail) 15 mm
terminal blocks for electrical installations	yes
Anzahl der Klemmstellen je Etage	2
Montageart	DIN rail (top hat rail) 15 mm
Brennbarkeitsklasse des Isolierstoffs	V0
Reihenklennen für Installationsverteiler	yes

technical data

rated impulse voltage	6 kV
pollution degree	3
closing plate required	yes
type of insulation material	thermoplastic
length	35 mm

connection data

connection type 1	spring clamp connection
connection type 2	spring clamp connection

minimum cross section solid	0.13 mm ²
maximum cross section solid	2.5 mm ²
minimum cross section fine stranded	0.13 mm ²
maximum cross section fine stranded	2.5 mm ²
wire strip length	10 mm

technical data UL/CSA

cross section UL	26-12 AWG
voltage UL	600 V
cross section CSA	26-12 AWG
voltage CSA	300 V

technical data ATEX

cross section fine-stranded	0,5 - 2,5
connectable conductor cross section solid	0,5 - 2,5

classification

ECLASS 11	
ECLASS 8.1	27141141
ETIM 9.0	EC000901
ETIM 8.0	EC000901
ETIM 7.0	EC000901
ETIM 6.0	EC000901
ETIM 5.0	EC000901
ETIM 4.0	EC000901
ETIM 3.0	EC000901

product compliance

ROHS conformity status	compliant
REACH-SVHC conformity status	compliant

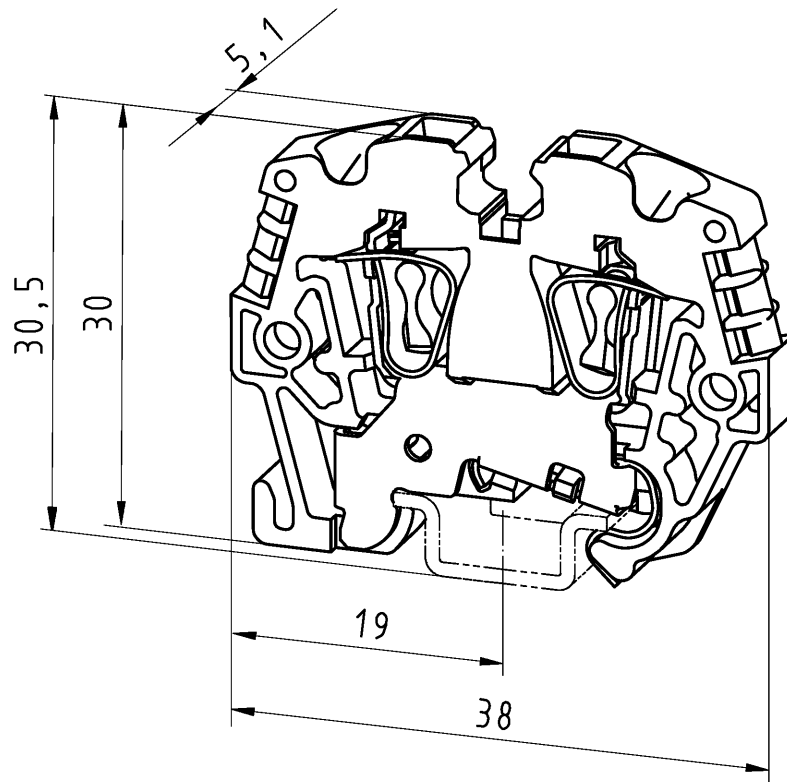
Accessories

Commercial Art.No.:	Article-type description:	Description:
07.312.5953.0	end plate APMF 2,5/15	End plate for DIN rail terminal blocks type WKMF 2,5..., color: grey
Z7.260.0229.0	jumper bar IVB WKMF 2,5- 2	Cross connector, insulated for DIN rail terminal blocks type WKMF..., 2 -pole
Z7.260.0329.0	jumper bar IVB WKMF 2,5- 3	Cross connector, insulated for DIN rail terminal blocks type WKMF..., 3 -pole
Z7.260.0429.0	jumper bar IVB WKMF 2,5- 4	Cross connector, insulated for DIN rail terminal blocks type WKMF..., 4 -pole
Z7.260.0529.0	jumper bar IVB WKMF 2,5- 5	Cross connector, insulated for DIN rail terminal blocks type WKMF..., 5 -pole
Z7.260.1029.0	jumper bar IVB WKMF 2,5- 10	Cross connector, insulated for DIN rail terminal blocks type WKMF..., 10 -pole
04.242.5053.0	marking tag strips 9705 A / 5 / 10	Marking tag strips for DIN rail terminal blocks type 9700 A / 5..., 10 tags per strip, color: white, unmarked, markable with Wieplot plotter-system
98.090.0015.0	mounting rail TS 15 PERF - l:2000mm	Mounting rail TS 15, slotted, Höhe 5,5 mm, length 2 m, material steel. galv. zinc-plated and passivated

A
 Weitergabe sowie Vervielfältigung dieses Dokuments, Verwertung und Mitteilung seines Inhalts sind verboten, soweit nicht ausdrücklich gestattet.
 The reproduction, distribution and utilization of this document as well as the communication of its contents to others without express authorization is prohibited.

B
 These dimensions will be especially checked at delivery
 Only inspection dimensions
 With JE marked dimensions are only valid for internal use

D
 Diese Maße werden bei Abnahme besonders geprüft
 Ausschließlich Prüfmaße
 Mit JE gekennzeichnete Maße sind nur für interne Zwecke gültig



Weitere Daten siehe KATALOG oder eKATALOG.
 Additional data see CATALOG or eKATALOG.

www.wieland-electric.com
 eshop.wieland-electric.com

Tolerierung Size ISO 14405 (E) / Tolerance system Size ISO 14405 (E).
 (This ISO-standard describes the envelope principle. According to the envelope principle the deviations of form and parallelism are limited by the size tolerances).

ja/yes Stoffverbots- und Deklarationsliste nach WN 5020.010 ist einzuhalten.
 Conformity with Wieland document WN 5020.010 e (list of prohibited / declarable hazardous substances) to be declared!

Freitoleranz nach
 General tolerance

CAD - Zeichnung, keine manuellen Änderungen
 CAD - drawing, no manual modifications allowed

1. Verwendung:
 First Use:

Blatt: 1 von 1
 Sheet: of

	/		Werkstoff / Material		Tag/Date	Name	Zeichnung Nr. / Drawing No.	Index
	/		Farbe/colour	gezeichnet drawn	12.05.2022	Schnitt		
	/	Maßstab / Scale	grün-gelb, marmoriert green-yellow, marbled	Elektronische Freigabe Electronic Release		55.703.9053.0 01K		d
d	07.07.2022 /	/				Maße in mm / Dimensions are in mm		
c	27.02.2007 /	Vol.	mm ³ OfL./Srf.	mm ²	Ersatz für / Replacement for:			
b	06.08.2004 /			Type	Benennung/Title			
a	19.12.2003 /			WKMF 2,5	SCHUTZLEITERKLEMME			
Index	Datum / Blatt Date / Sheet		wieland	SL/15	earth-terminal			
Änderung / Revision								